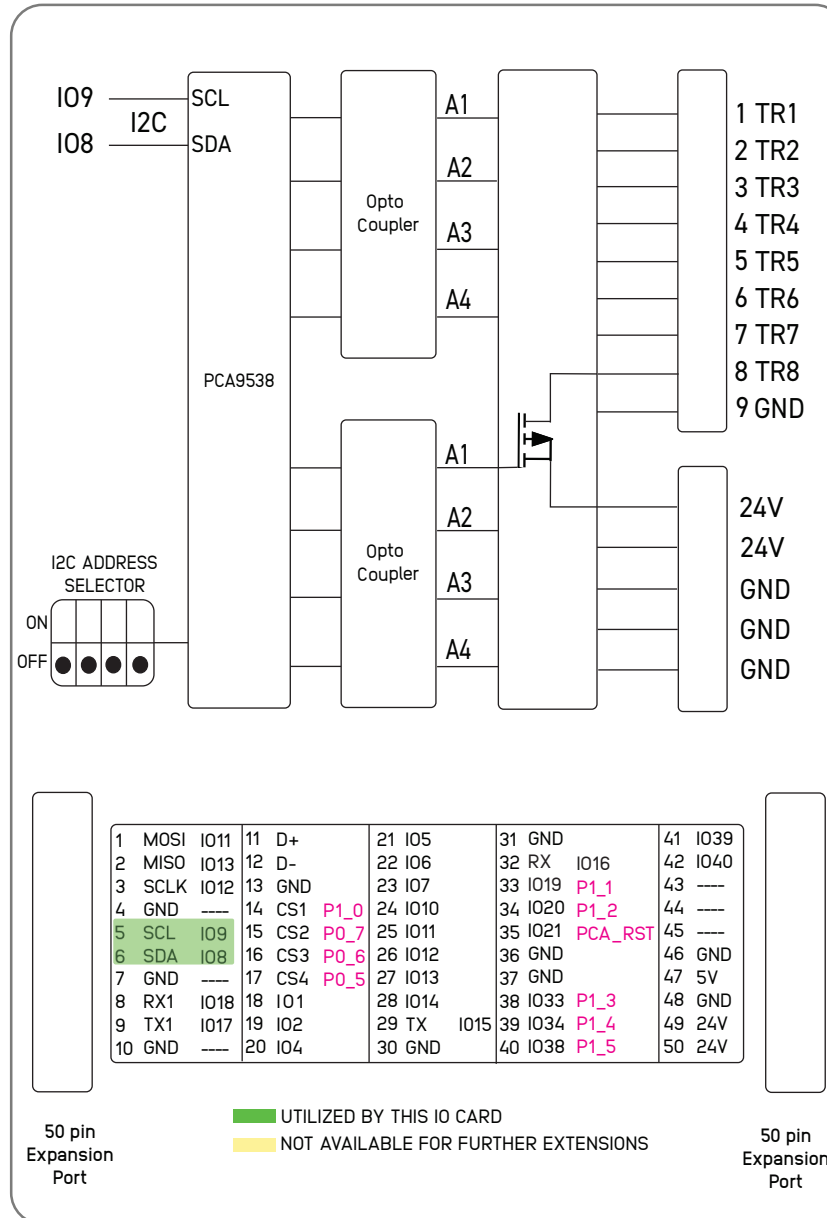


NORVI CONTROLS

NORVI X-Q8



2014/30/EU- Electromagnetic Compatibility (EMC)
Annex III, Part B, Module C



Quick Guide

Connections and Programming

Power
Supply Voltage 24V DC

Micro-controller
Chip ESP32S3-WROOM-1U
SCL IO9
SDA IO8

I2C Address Selection

Address Selection				
DIP 1	DIP 2	DIP 3	DIP 4	Address
OFF	OFF	x	x	0x73
ON	OFF	x	x	0x72
OFF	ON	x	x	0x71
ON	ON	x	x	0x70

Transistor Output

