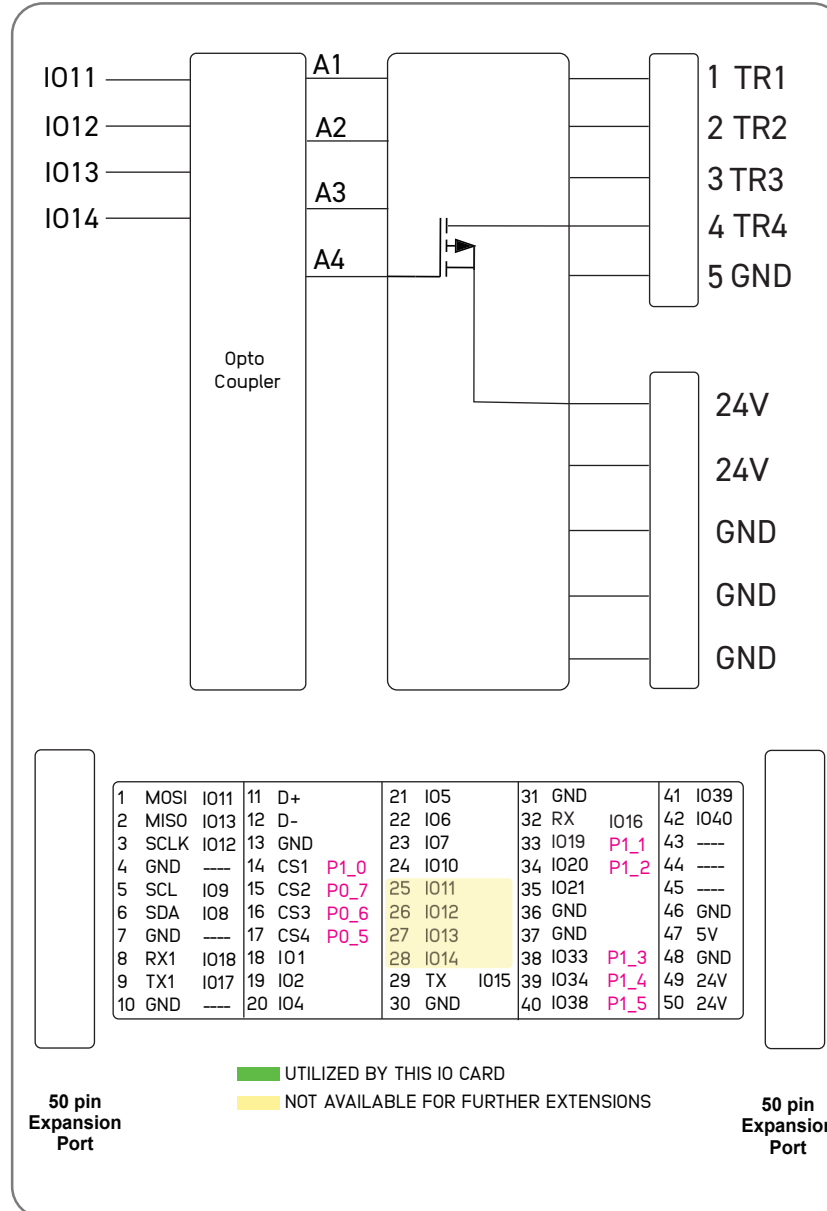


# NORVI CONTROLS

## NORVI X-Q4



2014/30/EU- Electromagnetic Compatibility (EMC)  
Annex III, Part B, Module C



# Quick Guide

## Connections and Programming

Power  
Supply Voltage 24V DC

Micro-controller  
Chip ESP32S3-WROOM-1U  
Clock 240Mhz Mhz  
Bootloader ESP32 Arduino

### Transistor Output

