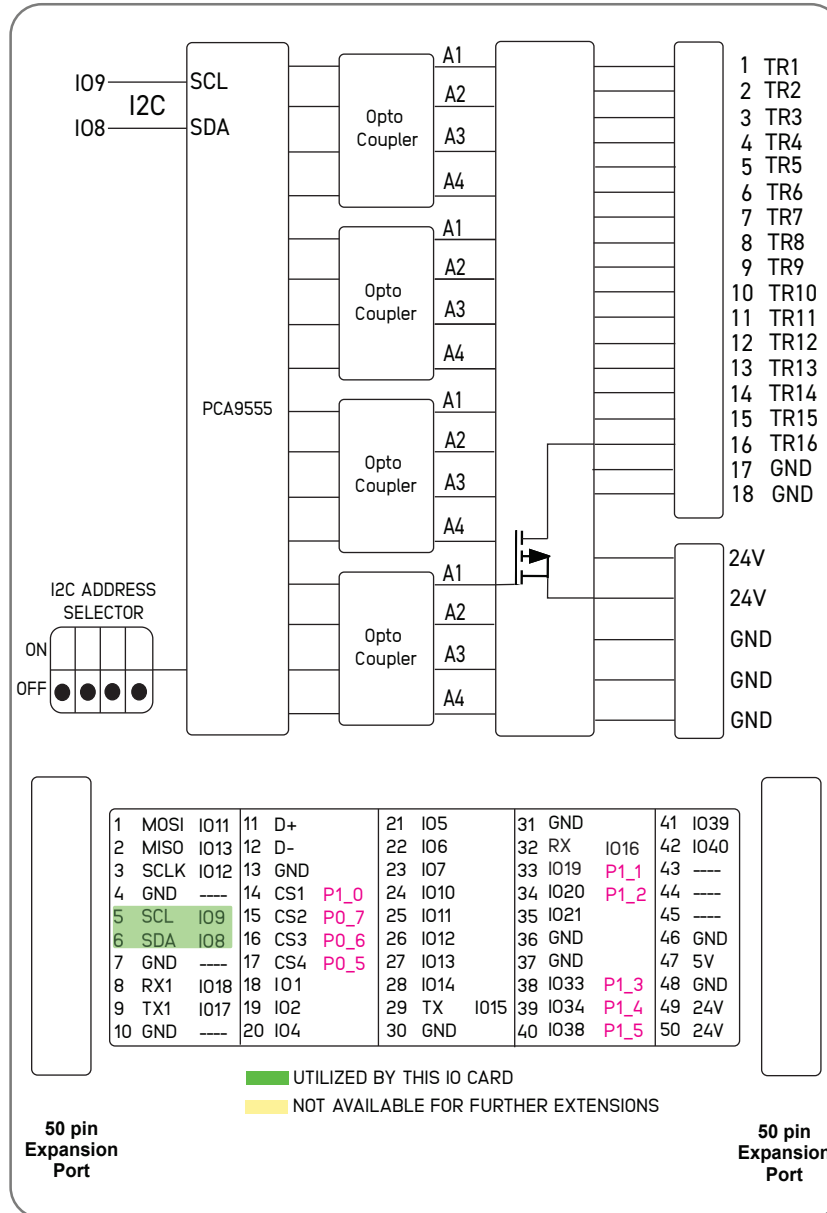


NORVI CONTROLS

NORVI X-Q16



2014/30/EU- Electromagnetic Compatibility (EMC)
Annex III, Part B, Module C



Quick Guide

Connections and Programming

Power
Supply Voltage 24V DC

Micro-controller
Chip ESP32S3-WROOM-1U
SCL I09
SDA I08

I2C Address Selection

Address Selection				
DIP 1	DIP 2	DIP 3	DIP 4	Address
OFF	OFF	OFF	x	0x27
ON	OFF	OFF	x	0x26
OFF	ON	OFF	x	0x25
ON	ON	OFF	x	0x24
OFF	OFF	ON	x	0x23
ON	OFF	ON	x	0x22
OFF	ON	ON	x	0x21
ON	ON	ON	x	0x20

Transistor Output

