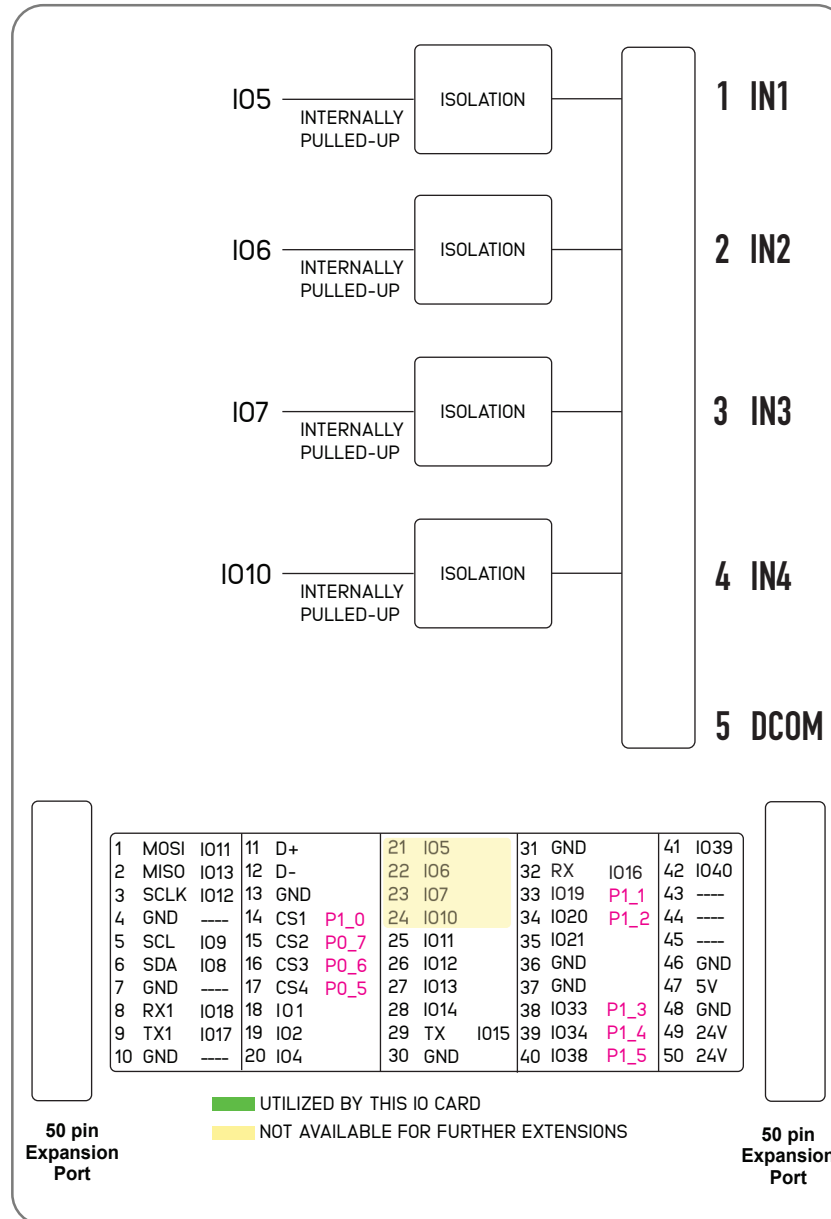


NORVI CONTROLS

NORVI X-DI4



2014/30/EU- Electromagnetic Compatibility (EMC)
Annex III, Part B, Module C



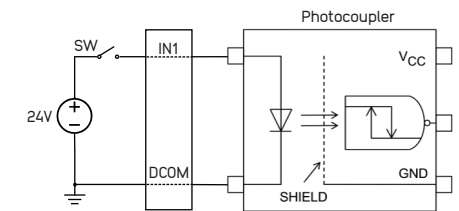
Quick Guide

Connections and Programming

Power
 Supply Voltage 24V DC
 Digital input voltage 24V

Micro-controller
 Chip ESP32S3-WROOM-1U
 Clock 240Mhz Mhz
 Bootloader ESP32 Arduino

Digital Input



Digital Input 1 IN1
Digital Input 2 IN2
Digital Input 3 IN3
Digital Input 4 IN4