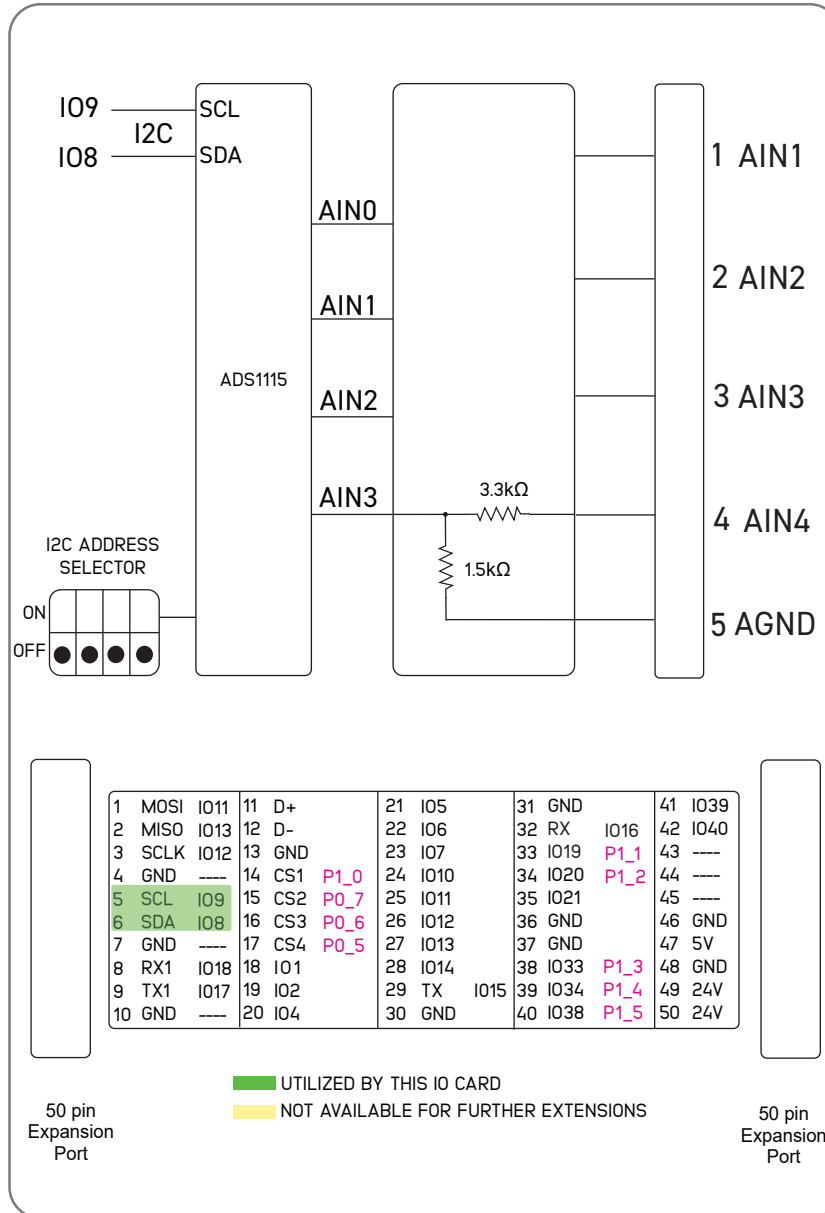


# NORVI CONTROLS

## NORVI X-AV4



2014/30/EU- Electromagnetic Compatibility (EMC)  
Annex III, Part B, Module C



# Quick Guide

## Connections and Programming

**Power**  
 Supply Voltage                      24V DC  
 Analog Input                            0 -10V

**Micro-controller**  
 Chip                                      ESP32S3-WROOM-1U  
 SCL                                        I09  
 SDA                                        I08

### I2C Address Selection

Address Selection				
DIP 1	DIP 2	DIP 3	DIP 4	Address
ON	OFF	OFF	OFF	0x49
OFF	ON	OFF	OFF	0x4B
OFF	OFF	ON	OFF	0x4A
OFF	OFF	OFF	ON	0x48

### Analog Inputs

