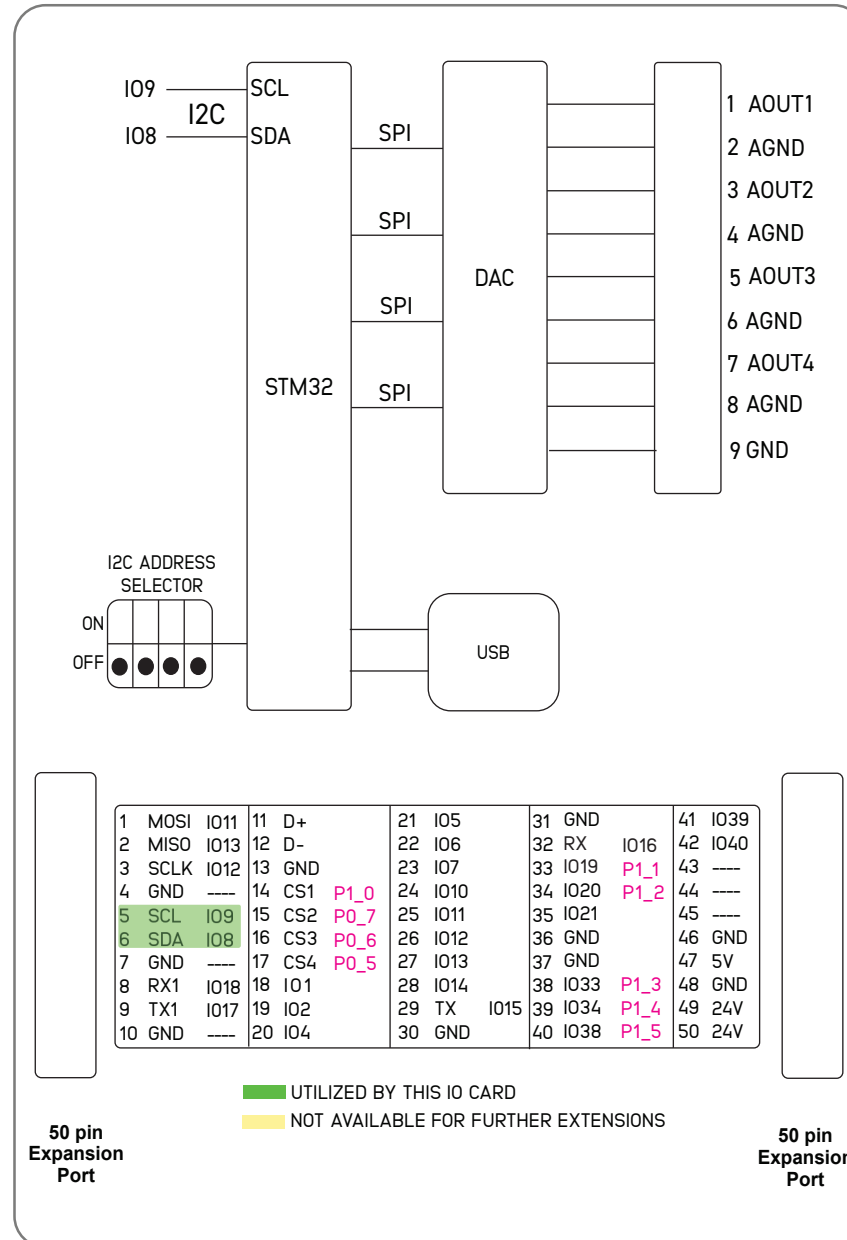


NORVI CONTROLS

NORVI X-AQ4



2014/30/EU- Electromagnetic Compatibility (EMC)
Annex III, Part B, Module C



Quick Guide

Connections and Programming

Power
Supply Voltage 24V DC
Analog Output 0 -10V / 4 - 20mA

Micro-controller
Chip ESP32S3-WROOM-1U
SCL IO9
SDA IO8

I2C Address Selection

DIP 1	DIP 2	DIP 3	DIP 4	Address
OFF	OFF	OFF	OFF	0x5F
ON	OFF	OFF	OFF	0x57
OFF	ON	OFF	OFF	0x5B
ON	ON	OFF	OFF	0x53
OFF	OFF	ON	OFF	0x5D
ON	OFF	ON	OFF	0x55
OFF	ON	ON	OFF	0x59
ON	ON	ON	OFF	0x51
OFF	OFF	OFF	ON	0x5E
ON	OFF	OFF	ON	0x56
OFF	ON	OFF	ON	0x5A
ON	ON	OFF	ON	0x52
OFF	OFF	ON	ON	0x5C
ON	OFF	ON	ON	0x54
OFF	ON	ON	ON	0x58
ON	ON	ON	ON	0x50

Analog Outputs

