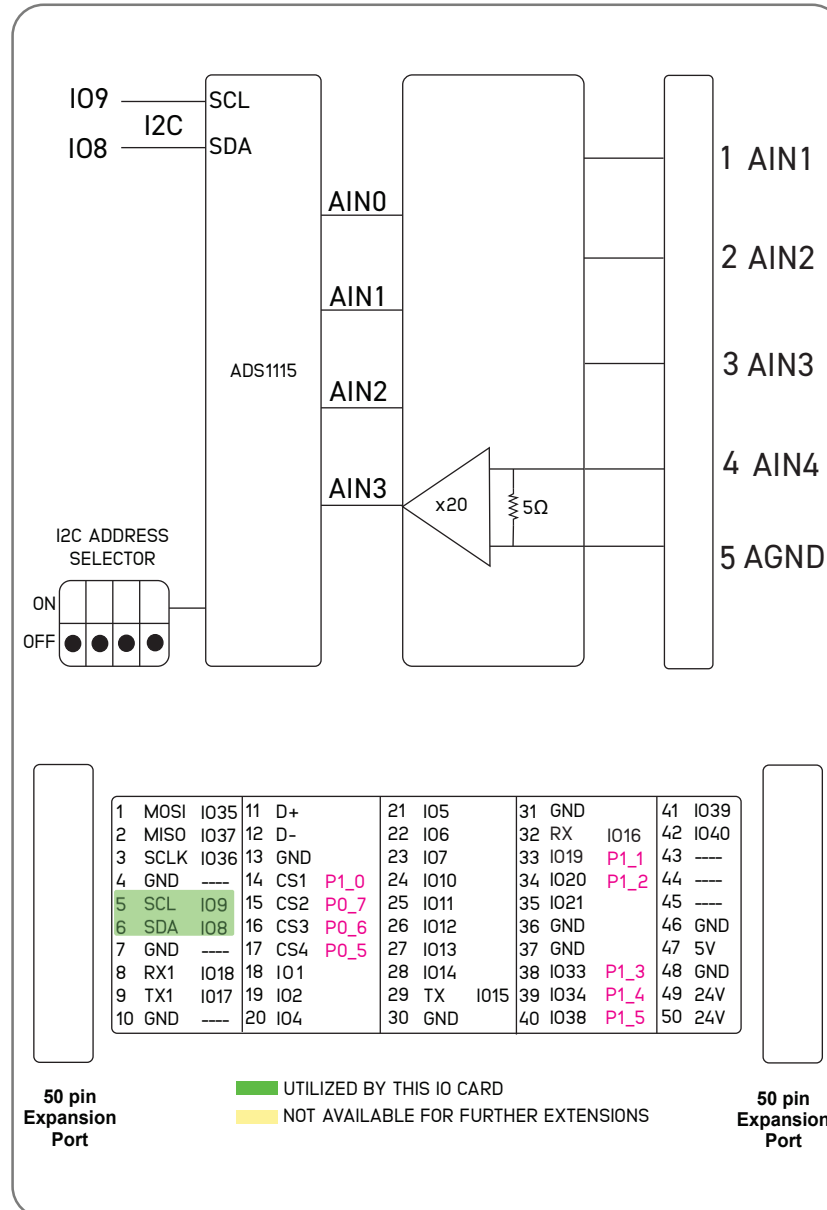


NORVI CONTROLS

NORVI X-AI4



2014/30/EU- Electromagnetic Compatibility (EMC)
Annex III, Part B, Module C



Quick Guide

Connections and Programming

Power
Supply Voltage 24V DC
Analog Input 4 - 20 mA

Micro-controller
Chip ESP32S3-WROOM-1U
SCL IO9
SDA IO8

I2C Address Selection

Address Selection				
DIP 1	DIP 2	DIP 3	DIP 4	Address
ON	OFF	OFF	OFF	0x49
OFF	ON	OFF	OFF	0x4B
OFF	OFF	ON	OFF	0x4A
OFF	OFF	OFF	ON	0x48

Analog Inputs

